



PFP ST 2.5mm OD MM 304 Stainless Steel Ferrules

Product Features

- 100% tested for concentricity and bore size.
- Custom manufacturing available.
- Low insertion loss.
- Low back reflection.
- High precision and reliability.

Precision Fiber Products manufactures ST type 2.5mm OD stainless ferrule sticks. They come in a variety of ID bore sizes and performance types.



*Available in Standard, Premium and Elite.

Part Number: MM-FER2006-304-XXXX

Mechanical Specifications

MULTIMODE

| | |
|----------------|---------------|
| Family | Ferrule |
| Length | 12.7 ± 0.05mm |
| Outer Diameter | 2.5mm |
| Bore Size | 126 - 850um |
| End Face | Flat |
| Material | Stainless 304 |

Coefficient of Linear Thermal Expansion

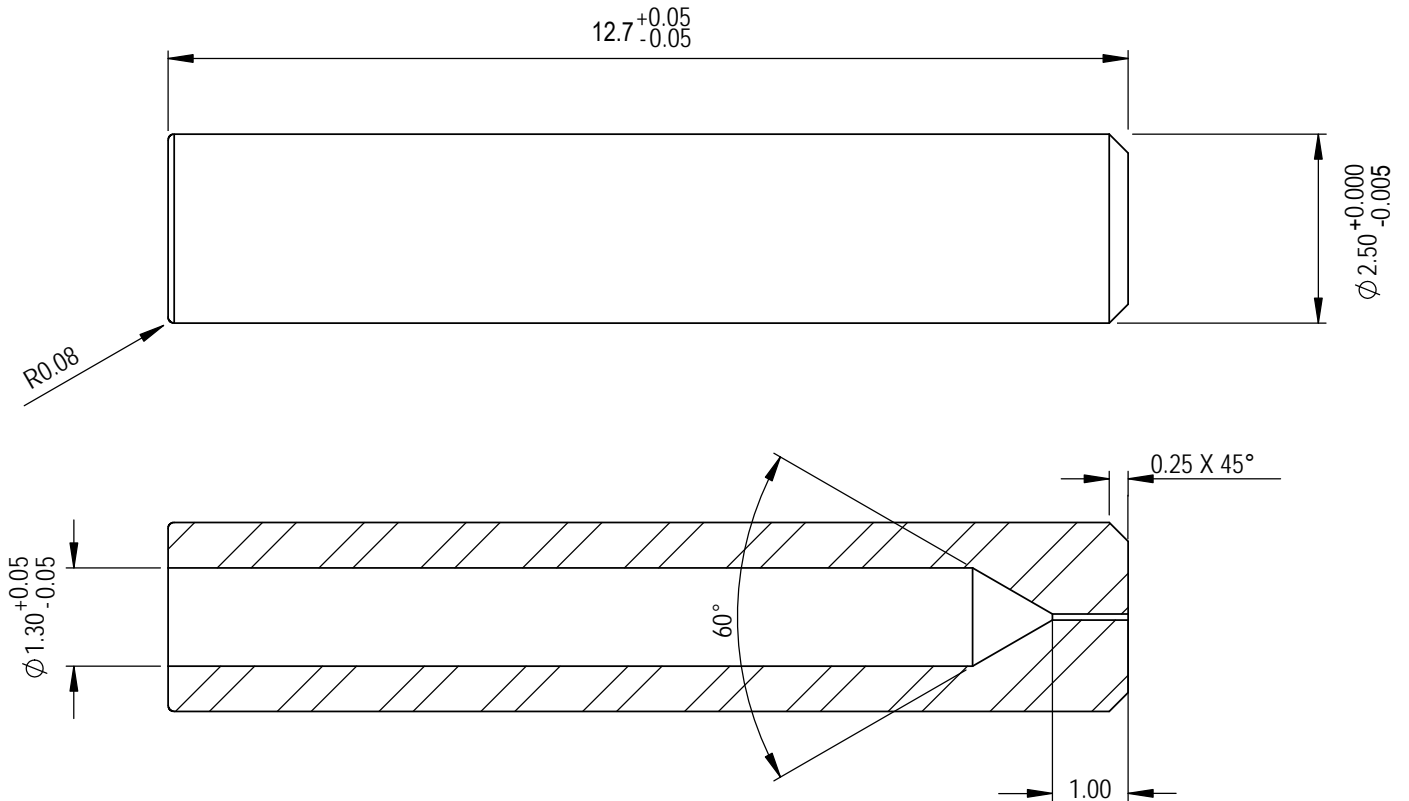
| Temperature range | | Coefficient | |
|-------------------|--------|-------------------------|-------------------------|
| °F | °C | in/in/°F | cm/cm/°C |
| 68-212 | 20-100 | 9.2 x 10 ⁻⁶ | 16.6 x 10 ⁻⁶ |
| 18-1600 | 20-870 | 11.0 x 10 ⁻⁶ | 19.8 x 10 ⁻⁶ |



We meet or exceed customer expectations in product quality and on time delivery



Drawing Specifications



Part Number: MM-FER2006-304-XXXX



We meet or exceed customer expectations in product quality and on time delivery



| -XXXX | I.D. | Standard | | | Premium | | | Elite | | |
|-------|--------|----------|--------|---------------|---------|--------|---------------|--------|--------|---------------|
| | | Min | Max | Concentricity | Min | Max | Concentricity | Min | Max | Concentricity |
| 1260 | 0.1260 | 0.1260 | 0.1310 | <10 | 0.1260 | 0.1310 | <5 | 0.1260 | 0.1280 | <5 |
| 1400 | 0.1400 | 0.1400 | 0.1450 | <10 | 0.1400 | 0.1450 | <5 | 0.1400 | 0.1425 | <5 |
| 1500 | 0.1500 | 0.1500 | 0.1550 | <10 | 0.1500 | 0.1550 | <5 | 0.1500 | 0.1525 | <5 |
| 1600 | 0.1600 | 0.1600 | 0.1650 | <15 | 0.1600 | 0.1650 | <7.5 | 0.1600 | 0.1625 | <7.5 |
| 1700 | 0.1700 | 0.1700 | 0.1750 | <15 | 0.1700 | 0.1750 | <7.5 | 0.1700 | 0.1725 | <7.5 |
| 1800 | 0.1800 | 0.1800 | 0.1900 | <15 | 0.1800 | 0.1900 | <7.5 | 0.1800 | 0.1850 | <7.5 |
| 1900 | 0.1900 | 0.1900 | 0.1950 | <15 | 0.1900 | 0.1950 | <7.5 | 0.1900 | 0.1925 | <7.5 |
| 2000 | 0.2000 | 0.2000 | 0.2100 | <20 | 0.2000 | 0.2100 | <10 | 0.2000 | 0.2050 | <10 |
| 2100 | 0.2100 | 0.2100 | 0.2200 | <20 | 0.2100 | 0.2200 | <10 | 0.2100 | 0.2150 | <10 |
| 2200 | 0.2200 | 0.2200 | 0.2300 | <20 | 0.2200 | 0.2300 | <10 | 0.2200 | 0.2250 | <10 |
| 2300 | 0.2300 | 0.2300 | 0.2400 | <20 | 0.2300 | 0.2400 | <10 | 0.2300 | 0.2350 | <10 |
| 2400 | 0.2400 | 0.2400 | 0.2500 | <20 | 0.2400 | 0.2500 | <10 | 0.2400 | 0.2450 | <10 |
| 2500 | 0.2500 | 0.2500 | 0.2600 | <20 | 0.2500 | 0.2600 | <10 | 0.2500 | 0.2550 | <10 |
| 2600 | 0.2600 | 0.2600 | 0.2700 | <20 | 0.2600 | 0.2700 | <10 | 0.2600 | 0.2650 | <10 |
| 2700 | 0.2700 | 0.2700 | 0.2800 | <20 | 0.2700 | 0.2800 | <10 | 0.2700 | 0.2750 | <10 |
| 2800 | 0.2800 | 0.2800 | 0.2900 | <20 | 0.2800 | 0.2900 | <10 | 0.2800 | 0.2850 | <10 |
| 2900 | 0.2900 | 0.2900 | 0.3000 | <20 | 0.2900 | 0.3000 | <10 | 0.2900 | 0.2950 | <10 |
| 3000 | 0.3000 | 0.3000 | 0.3100 | <20 | 0.3000 | 0.3100 | <10 | 0.3000 | 0.3050 | <10 |
| 3100 | 0.3100 | 0.3100 | 0.3200 | <20 | 0.3100 | 0.3200 | <10 | 0.3100 | 0.3150 | <10 |
| 3200 | 0.3200 | 0.3200 | 0.3300 | <20 | 0.3200 | 0.3300 | <10 | 0.3200 | 0.3250 | <10 |
| 3300 | 0.3300 | 0.3300 | 0.3400 | <20 | 0.3300 | 0.3400 | <10 | 0.3300 | 0.3350 | <10 |
| 3400 | 0.3400 | 0.3400 | 0.3500 | <20 | 0.3400 | 0.3500 | <10 | 0.3400 | 0.3450 | <10 |
| 3500 | 0.3500 | 0.3500 | 0.3600 | <20 | 0.3500 | 0.3600 | <10 | 0.3500 | 0.3550 | <10 |
| 3600 | 0.3600 | 0.3600 | 0.3700 | <20 | 0.3600 | 0.3700 | <10 | 0.3600 | 0.3650 | <10 |
| 3700 | 0.3700 | 0.3700 | 0.3800 | <20 | 0.3700 | 0.3800 | <10 | 0.3700 | 0.3750 | <10 |
| 3800 | 0.3800 | 0.3800 | 0.3900 | <20 | 0.3800 | 0.3900 | <10 | 0.3800 | 0.3850 | <10 |
| 3900 | 0.3900 | 0.3900 | 0.4000 | <20 | 0.3900 | 0.4000 | <10 | 0.3900 | 0.3950 | <10 |
| 4000 | 0.4000 | 0.4000 | 0.4100 | <30 | 0.4000 | 0.4100 | <15 | 0.4000 | 0.4050 | <15 |
| 4100 | 0.4100 | 0.4100 | 0.4200 | <30 | 0.4100 | 0.4200 | <15 | 0.4100 | 0.4150 | <15 |
| 4200 | 0.4200 | 0.4200 | 0.4300 | <30 | 0.4200 | 0.4300 | <15 | 0.4200 | 0.4250 | <15 |
| 4300 | 0.4300 | 0.4300 | 0.4400 | <30 | 0.4300 | 0.4400 | <15 | 0.4300 | 0.4350 | <15 |
| 4400 | 0.4400 | 0.4400 | 0.4500 | <30 | 0.4400 | 0.4500 | <15 | 0.4400 | 0.4450 | <15 |
| 4500 | 0.4500 | 0.4500 | 0.4600 | <30 | 0.4500 | 0.4600 | <15 | 0.4500 | 0.4550 | <15 |
| 4600 | 0.4600 | 0.4600 | 0.4700 | <30 | 0.4600 | 0.4700 | <15 | 0.4600 | 0.4650 | <15 |
| 4700 | 0.4700 | 0.4700 | 0.4800 | <30 | 0.4700 | 0.4800 | <15 | 0.4700 | 0.4750 | <15 |
| 4800 | 0.4800 | 0.4800 | 0.4900 | <30 | 0.4800 | 0.4900 | <15 | 0.4800 | 0.4850 | <15 |
| 4900 | 0.4900 | 0.4900 | 0.5000 | <30 | 0.4900 | 0.5000 | <15 | 0.4900 | 0.4950 | <15 |
| 5000 | 0.5000 | 0.5000 | 0.5100 | <30 | 0.5000 | 0.5100 | <15 | 0.5000 | 0.5050 | <15 |



We meet or exceed customer expectations in product quality and on time delivery





| -XXXX | I.D. | Standard | | | Premium | | | Elite | | |
|-------|--------|----------|--------|---------------|---------|--------|---------------|--------|--------|---------------|
| | | Min | Max | Concentricity | Min | Max | Concentricity | Min | Max | Concentricity |
| 5100 | 0.5100 | 0.5100 | 0.5200 | <40 | 0.5100 | 0.5200 | <20 | 0.5100 | 0.5150 | <20 |
| 5200 | 0.5200 | 0.5200 | 0.5300 | <40 | 0.5200 | 0.5300 | <20 | 0.5200 | 0.5250 | <20 |
| 5300 | 0.5300 | 0.5300 | 0.5400 | <40 | 0.5300 | 0.5400 | <20 | 0.5300 | 0.5350 | <20 |
| 5400 | 0.5400 | 0.5400 | 0.5500 | <40 | 0.5400 | 0.5500 | <20 | 0.5400 | 0.5450 | <20 |
| 5500 | 0.5500 | 0.5500 | 0.5600 | <40 | 0.5500 | 0.5600 | <20 | 0.5500 | 0.5550 | <20 |
| 5600 | 0.5600 | 0.5600 | 0.5700 | <40 | 0.5600 | 0.5700 | <20 | 0.5600 | 0.5650 | <20 |
| 5700 | 0.5700 | 0.5700 | 0.5800 | <40 | 0.5700 | 0.5800 | <20 | 0.5700 | 0.5750 | <20 |
| 5800 | 0.5800 | 0.5800 | 0.5900 | <40 | 0.5800 | 0.5900 | <20 | 0.5800 | 0.5850 | <20 |
| 5900 | 0.5900 | 0.5900 | 0.6000 | <40 | 0.5900 | 0.6000 | <20 | 0.5900 | 0.5950 | <20 |
| 6000 | 0.6000 | 0.6000 | 0.6100 | <40 | 0.6000 | 0.6100 | <20 | 0.6000 | 0.6050 | <20 |
| 6100 | 0.6100 | 0.6100 | 0.6200 | <40 | 0.6100 | 0.6200 | <20 | 0.6100 | 0.6150 | <20 |
| 6200 | 0.6200 | 0.6200 | 0.6300 | <40 | 0.6200 | 0.6300 | <20 | 0.6200 | 0.6250 | <20 |
| 6300 | 0.6300 | 0.6300 | 0.6400 | <40 | 0.6300 | 0.6400 | <20 | 0.6300 | 0.6350 | <20 |
| 6400 | 0.6400 | 0.6400 | 0.6500 | <40 | 0.6400 | 0.6500 | <20 | 0.6400 | 0.6450 | <20 |
| 6500 | 0.6500 | 0.6500 | 0.6600 | <40 | 0.6500 | 0.6600 | <20 | 0.6500 | 0.6550 | <20 |
| 6600 | 0.6600 | 0.6600 | 0.6700 | <40 | 0.6600 | 0.6700 | <20 | 0.6600 | 0.6650 | <20 |
| 6700 | 0.6700 | 0.6700 | 0.6800 | <40 | 0.6700 | 0.6800 | <20 | 0.6700 | 0.6750 | <20 |
| 6800 | 0.6800 | 0.6800 | 0.6900 | <40 | 0.6800 | 0.6900 | <20 | 0.6800 | 0.6850 | <20 |
| 6900 | 0.6900 | 0.6900 | 0.7000 | <40 | 0.6900 | 0.7000 | <20 | 0.6900 | 0.6950 | <20 |
| 7000 | 0.7000 | 0.7000 | 0.7100 | <40 | 0.7000 | 0.7100 | <20 | 0.7000 | 0.7050 | <20 |
| 7100 | 0.7100 | 0.7100 | 0.7200 | <40 | 0.7100 | 0.7200 | <20 | 0.7100 | 0.7150 | <20 |
| 7200 | 0.7200 | 0.7200 | 0.7300 | <40 | 0.7200 | 0.7300 | <20 | 0.7200 | 0.7250 | <20 |
| 7300 | 0.7300 | 0.7300 | 0.7400 | <40 | 0.7300 | 0.7400 | <20 | 0.7300 | 0.7350 | <20 |
| 7400 | 0.7400 | 0.7400 | 0.7500 | <40 | 0.7400 | 0.7500 | <20 | 0.7400 | 0.7450 | <20 |
| 7500 | 0.7500 | 0.7500 | 0.7600 | <40 | 0.7500 | 0.7600 | <20 | 0.7500 | 0.7550 | <20 |
| 7600 | 0.7600 | 0.7600 | 0.7700 | <50 | 0.7600 | 0.7700 | <25 | 0.7600 | 0.7650 | <25 |
| 7700 | 0.7700 | 0.7700 | 0.7800 | <50 | 0.7700 | 0.7800 | <25 | 0.7700 | 0.7750 | <25 |
| 7800 | 0.7800 | 0.7800 | 0.7900 | <50 | 0.7800 | 0.7900 | <25 | 0.7800 | 0.7850 | <25 |
| 7900 | 0.7900 | 0.7900 | 0.8000 | <50 | 0.7900 | 0.8000 | <25 | 0.7900 | 0.7950 | <25 |
| 8000 | 0.8000 | 0.8000 | 0.8100 | <50 | 0.8000 | 0.8100 | <25 | 0.8000 | 0.8050 | <25 |
| 8100 | 0.8100 | 0.8100 | 0.8200 | <50 | 0.8100 | 0.8200 | <25 | 0.8100 | 0.8150 | <25 |
| 8200 | 0.8200 | 0.8200 | 0.8300 | <50 | 0.8200 | 0.8300 | <25 | 0.8200 | 0.8250 | <25 |
| 8300 | 0.8300 | 0.8300 | 0.8400 | <50 | 0.8300 | 0.8400 | <25 | 0.8300 | 0.8350 | <25 |
| 8400 | 0.8400 | 0.8400 | 0.8500 | <50 | 0.8400 | 0.8500 | <25 | 0.8400 | 0.8450 | <25 |
| 8500 | 0.8500 | 0.8500 | 0.8600 | <50 | 0.8500 | 0.8600 | <25 | 0.8500 | 0.8550 | <25 |

Rev. 01 Initial Release: RP

Rev. 02 CTE Specs added: RP



We meet or exceed customer expectations in product quality and on time delivery

