



FC Connector - PM (Polarization Maintaining), Dome

Product Features

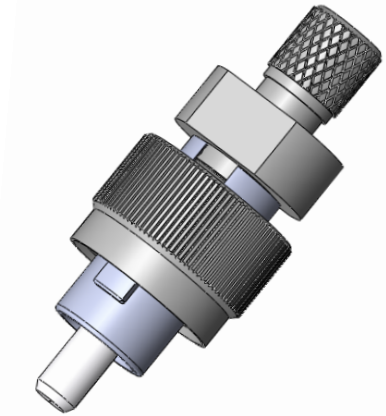
- Pre-assembled.
- Pre-radiused, pre-polished ferrule.
- Accommodates 0.9mm, 2mm and 3mm fiber types.
- Available with 0.9mm, 2mm and 3mm boots.
- Complies with IEC, TIA and telcordia standards.
- Suitable for high-speed production polishing processes.
- Conforms to JIS C5973 standard (F04 type connector).

Precision Fiber Products manufactures FC multimode connectors. They come in a variety of ID bore sizes and performance types.

Suggested crimp tool for assembly:

PFP Fiber Optic Crimp Tool
Part Number: **PFP-CT1000**

*Available in Standard, Premium and Elite.



Part Number: PM-CON1005-XXXX

Mechanical Specifications

Polarization Maintaining

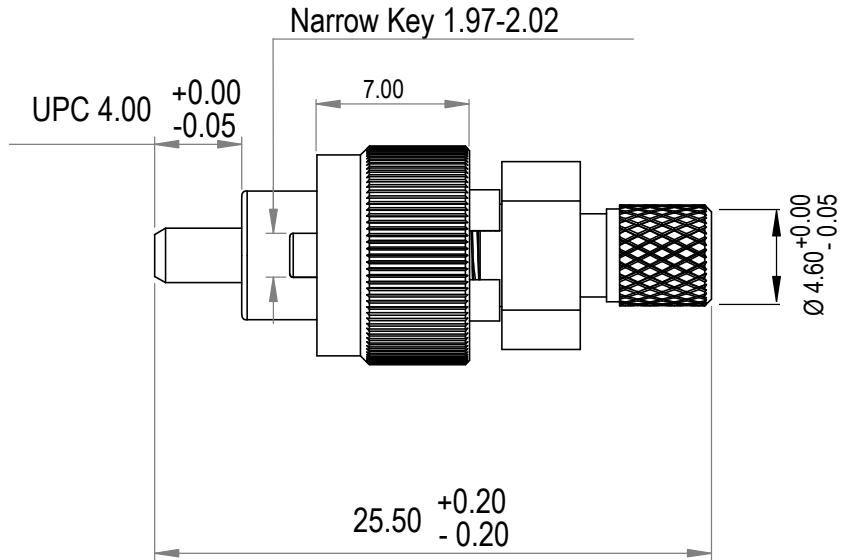
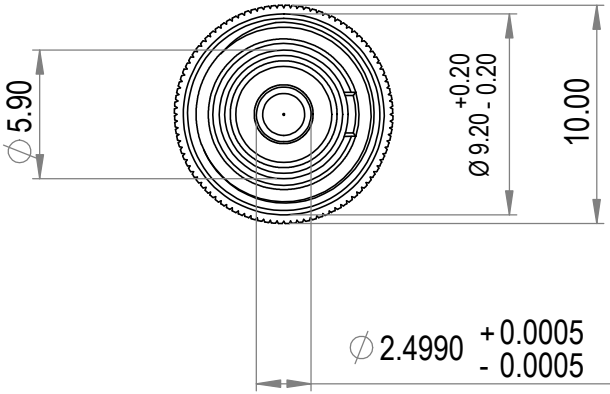
Family	Connector
Type	FC
End Face Dome	10-25mm Spherical Radius
Operating Temperature	-25° - + 70° C

BOOT COLOR XXX

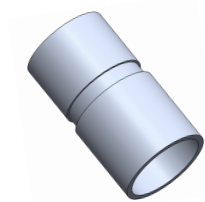
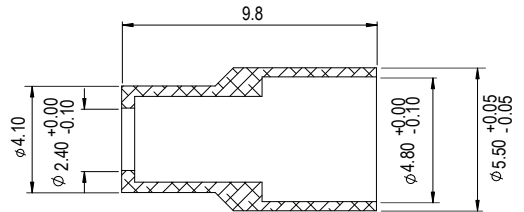
BLACK	BLK
BLUE	BLU
GREEN	GRN
RED	RED
WHITE	WHT
BEIGE	BGE
GRAY	GRY
YELLOW	YLW

Part	Material	Size
Ferrule	Ceramic Zirconia ZrO2	—
Body	Nickel Plate Brass	—
Boot	PVC	0.9mm, 2mm, 3mm
Crimp	Aluminum	2mm, 3mm

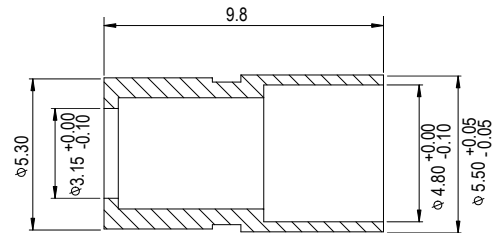
Drawing Specifications



PN: CRP-2SC
Crimp Hex Size: (0.197, 0.131)



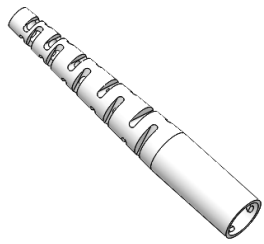
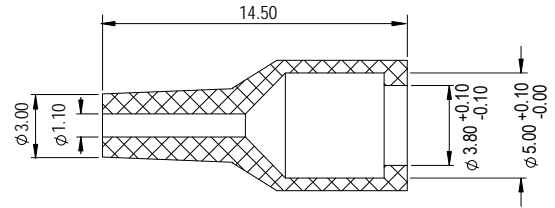
PN: CRP-3SC
Crimp Hex Size: (0.197, 0.171)



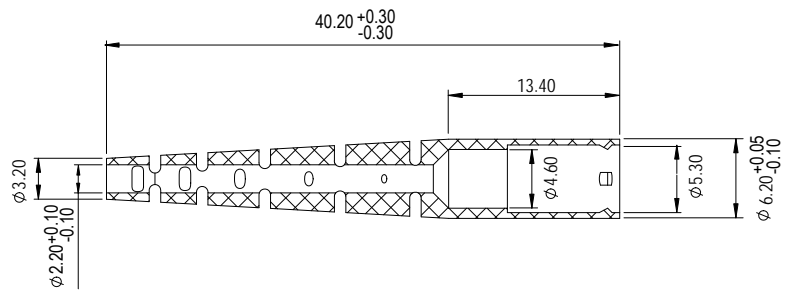
PFP Fiber Optic Crimp Tool
PN: **PFP-CT1000**



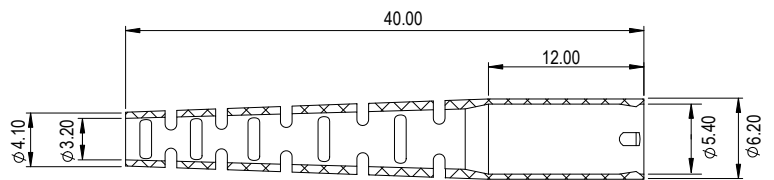
PN: BOT-SC-9FC-S-XXX



PN: BOT-SCFCST-2SC00-XXX



PN: BOT-SCFCST-3SC00-XXX





-XXXX	I.D.	Standard			Premium			Elite		
		Min	Max	Concentricity	Min	Max	Concentricity	Min	Max	Concentricity
0800	0.0800	0.0810	0.0830	<1	0.0810	0.0830	<0.5	0.0810	0.0820	<0.5
1250	0.1250	0.1250	0.1260	<1	0.1250	0.1260	<0.5	0.1250	0.1255	<0.5
1255	0.1255	0.1255	0.1265	<1	0.1255	0.1265	<0.5	0.1255	0.1260	<0.5
1260	0.1260	0.1260	0.1270	<1	0.1260	0.1270	<0.5	0.1260	0.1265	<0.5
1270	0.1270	0.1270	0.1280	<1	0.1270	0.1280	<0.5	0.1270	0.1275	<0.5
1280	0.1280	0.1280	0.1290	<1	0.1280	0.1290	<0.5	0.1280	0.1285	<0.5