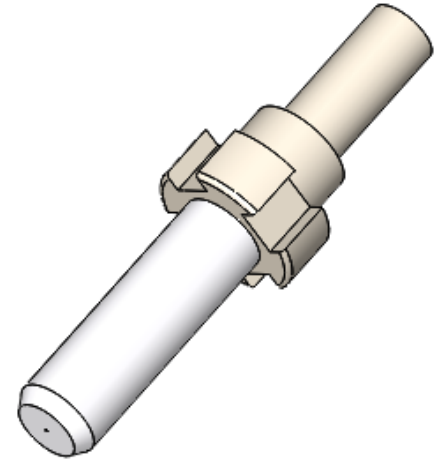




PFP SC 2.5mm OD SM Ceramic Zirconia Ferrule Assembly

Product Features

- 100% tested for concentricity and bore size.
- Custom manufacturing available.
- Low insertion loss.
- Low back reflection.
- High precision and reliability.



PFP manufactures SC type 2.5mm OD ceramic ferrule assemblies, with flange. They come in a variety of ID bore sizes and performance types.

Part Number: SM-FER1001S13-XXXX

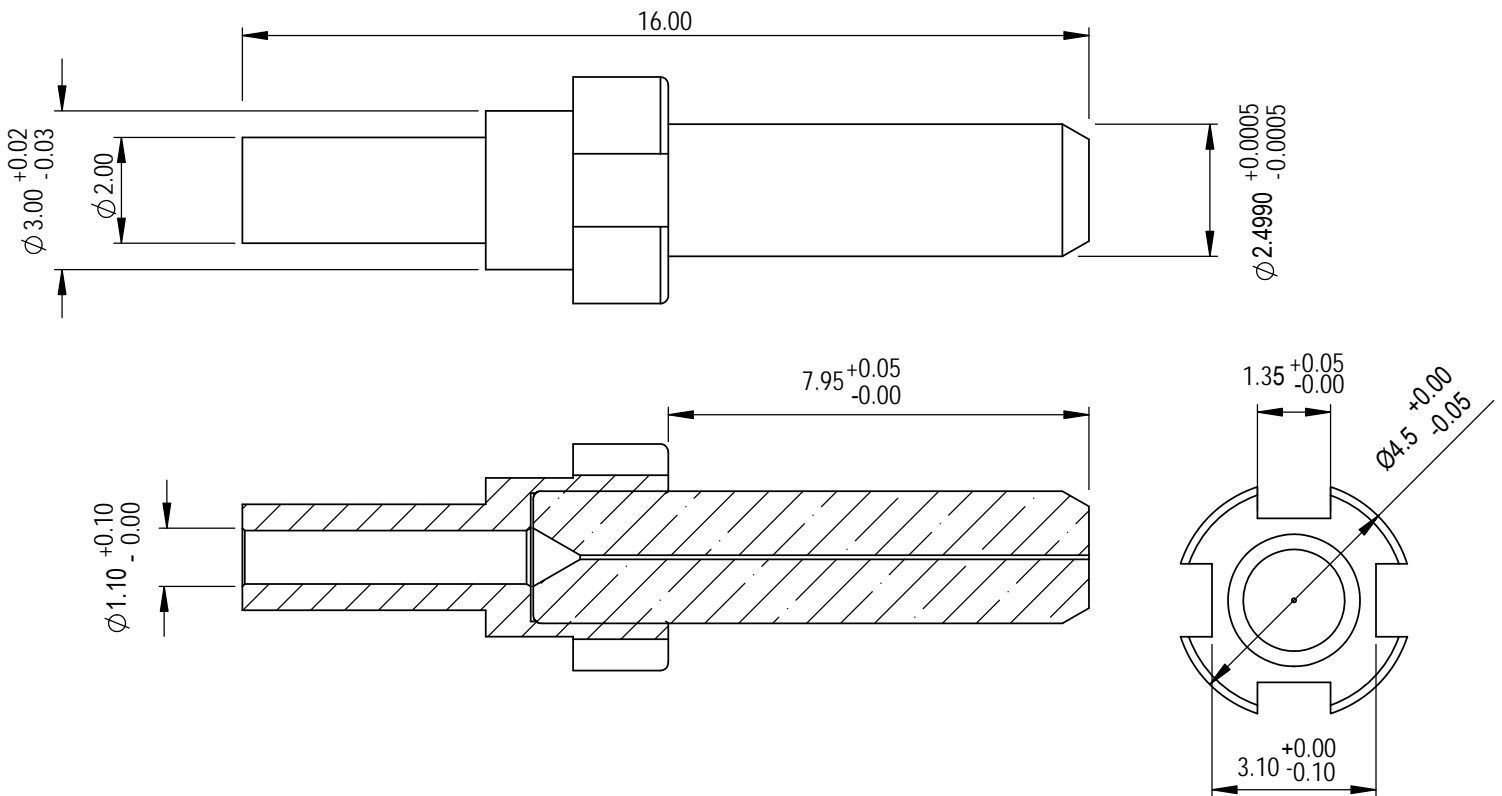
***Available in Standard, Premium and Elite.**

Mechanical Specifications

SINGLEMODE

Family	Ferrule Assembly
Length	16.00mm
Outer Diameter	2.5mm
Bore Size	80 - 128um
End Face Dome	10-25mm Spherical Radius
Ferrule Material	Ceramic Zirconia (ZrO ₂)
Flange Material	Nickel Plated Brass

Drawing Specifications



Part Number: SM-FER1001S13-XXXX

-XXXX	I.D.	Standard			Premium			Elite		
		Min	Max	Concentricity	Min	Max	Concentricity	Min	Max	Concentricity
0800	0.0800	0.8100	0.8300	<1	0.8100	0.8300	<0.5	0.8100	0.8200	<0.5
1250	0.1250	0.1250	0.1260	<1	0.1250	0.1260	<0.5	0.1250	0.1255	<0.5
1255	0.1255	0.1255	0.1265	<1	0.1255	0.1265	<0.5	0.1255	0.1260	<0.5
1260	0.1260	0.1260	0.1270	<1	0.1260	0.1270	<0.5	0.1260	0.1265	<0.5
1270	0.1270	0.1270	0.1280	<1	0.1270	0.1280	<0.5	0.1270	0.1275	<0.5
1280	0.1280	0.1280	0.1290	<1	0.1280	0.1290	<0.5	0.1280	0.1285	<0.5