



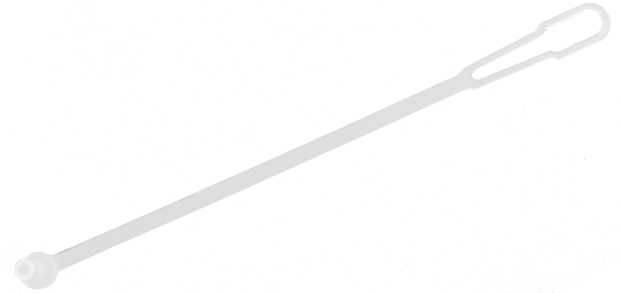
PFP Dust Cap with Strap for 1.25mm Ferrule, Clear

Product Features

- Used to protect fiber connectors from contaminants such as dust and dirt.
- Many styles to choose from allows protection for all popular fiber interfaces.
- Rugged plastic construction ensures durability.
- Can be used with LC

Applications:

- FTTX
- Fiber connector protection
- Data center
- LAN

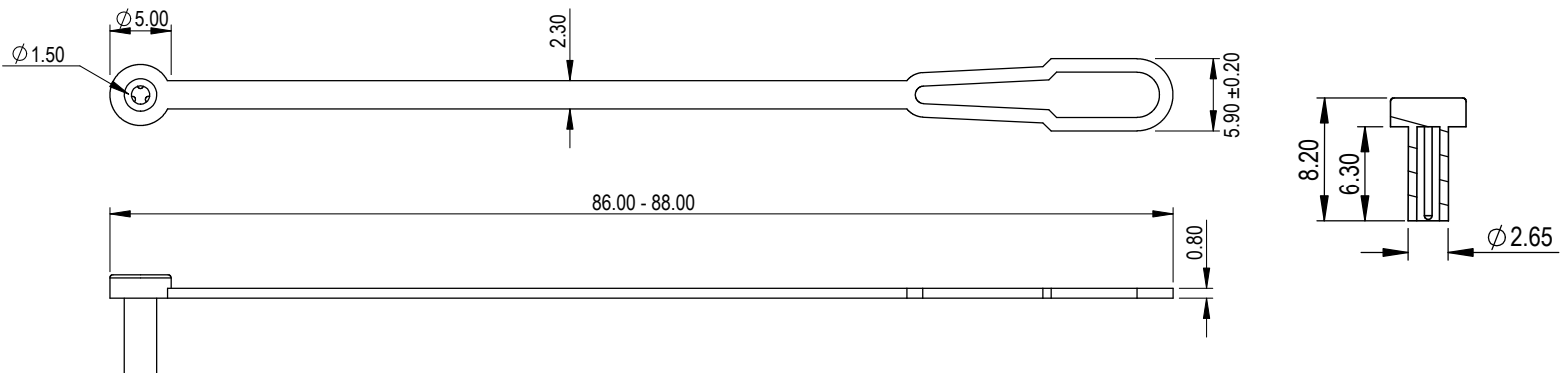


Part Number: LCFD-1001-OPA

Precision Fiber Products provides Dust Caps with Strap for 1.25mm Ferrule, Clear, These universal caps protect fiber adapters and couplers from contaminants and damage that can cause serious network slowdowns or crashes. These handy dust caps ensure quality performance by keeping debris from accumulating inside of alignment sleeves.

Mechanical Specifications

Connection Type	LC (1.25)
Material	Plastic
Color	White
Durability	≥ 500 (cycles)



Rev. 01
Initial Release: RP



We meet or exceed customer expectations in product quality and on time delivery

