

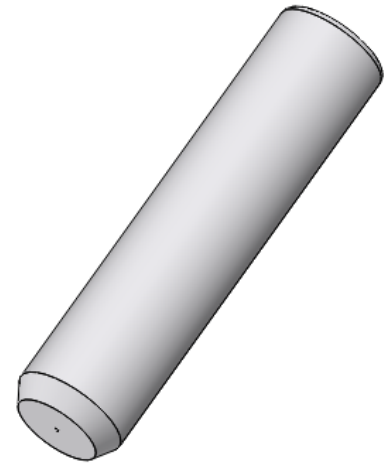


PFP SC Singlemode Ceramic Zirconia Ferrules

Product Features

- 100% tested for concentricity and bore size.
- Custom manufacturing available.
- Low insertion loss.
- Low back reflection.
- High precision and reliability.

PFP manufactures SC type 2.5mm OD ceramic ferrule sticks. They come in a variety of ID bore sizes and performance types.



Part Number: SM-FER1001-XXXX

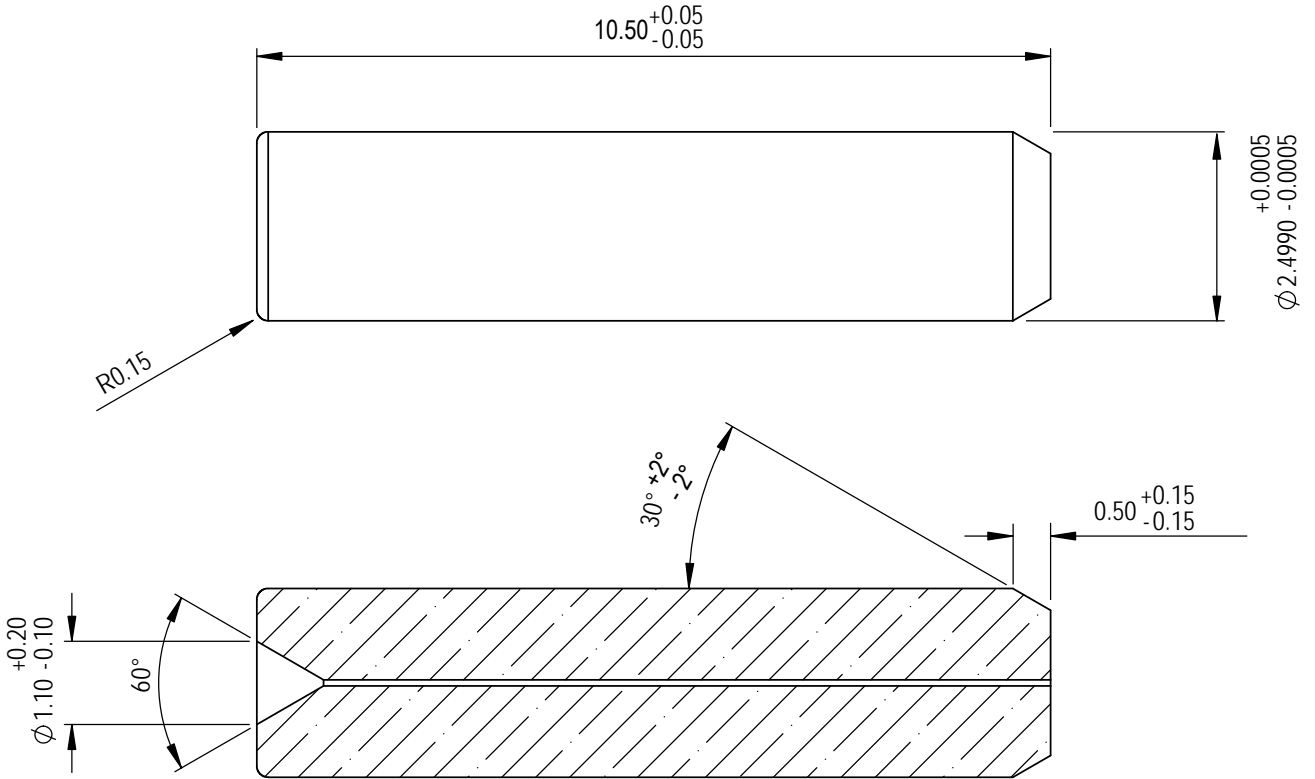
*Available in Standard, Premium and Elite.

Mechanical Specifications

SINGLEMODE

| | |
|----------------|--------------------------------------|
| Family | Ferrule |
| Length | 10.50 ± 0.05 |
| Outer Diameter | 2.5mm |
| Bore Size | 80 - 128um |
| End Face Dome | 10-25mm Spherical Radius |
| Material | Ceramic Zirconia (ZrO ₂) |

Drawing Specifications



Part Number: SM-FER1001-XXXX

| -XXXX | I.D. | Standard | | | Premium | | | Elite | | |
|-------|--------|----------|--------|---------------|---------|--------|---------------|--------|--------|---------------|
| | | Min | Max | Concentricity | Min | Max | Concentricity | Min | Max | Concentricity |
| 0800 | 0.0800 | 0.0810 | 0.0830 | <1 | 0.0810 | 0.0830 | <0.5 | 0.0810 | 0.0820 | <0.5 |
| 1250 | 0.1250 | 0.1250 | 0.1260 | <1 | 0.1250 | 0.1260 | <0.5 | 0.1250 | 0.1255 | <0.5 |
| 1255 | 0.1255 | 0.1255 | 0.1265 | <1 | 0.1255 | 0.1265 | <0.5 | 0.1255 | 0.1260 | <0.5 |
| 1260 | 0.1260 | 0.1260 | 0.1270 | <1 | 0.1260 | 0.1270 | <0.5 | 0.1260 | 0.1265 | <0.5 |
| 1270 | 0.1270 | 0.1270 | 0.1280 | <1 | 0.1270 | 0.1280 | <0.5 | 0.1270 | 0.1275 | <0.5 |
| 1280 | 0.1280 | 0.1280 | 0.1290 | <1 | 0.1280 | 0.1290 | <0.5 | 0.1280 | 0.1285 | <0.5 |