

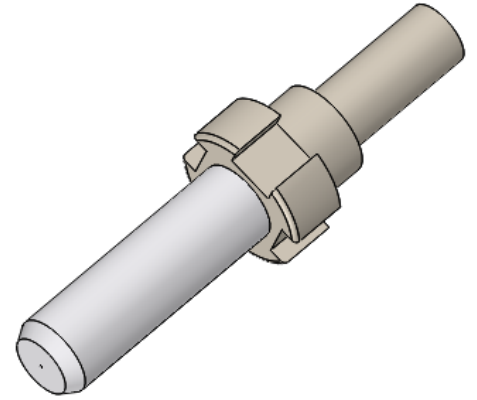


PFP SC 2.5mm OD MM Ceramic Zirconia Ferrule Assembly

Product Features

- 100% tested for concentricity and bore size.
- Custom manufacturing available.
- Low insertion loss.
- Low back reflection.
- High precision and reliability.

Precision Fiber Products manufactures SC type 2.5mm OD ceramic ferrule assemblies, with flange. They come in a variety of ID bore sizes and performance types.



Part Number: MM-FER2002S15-XXXX

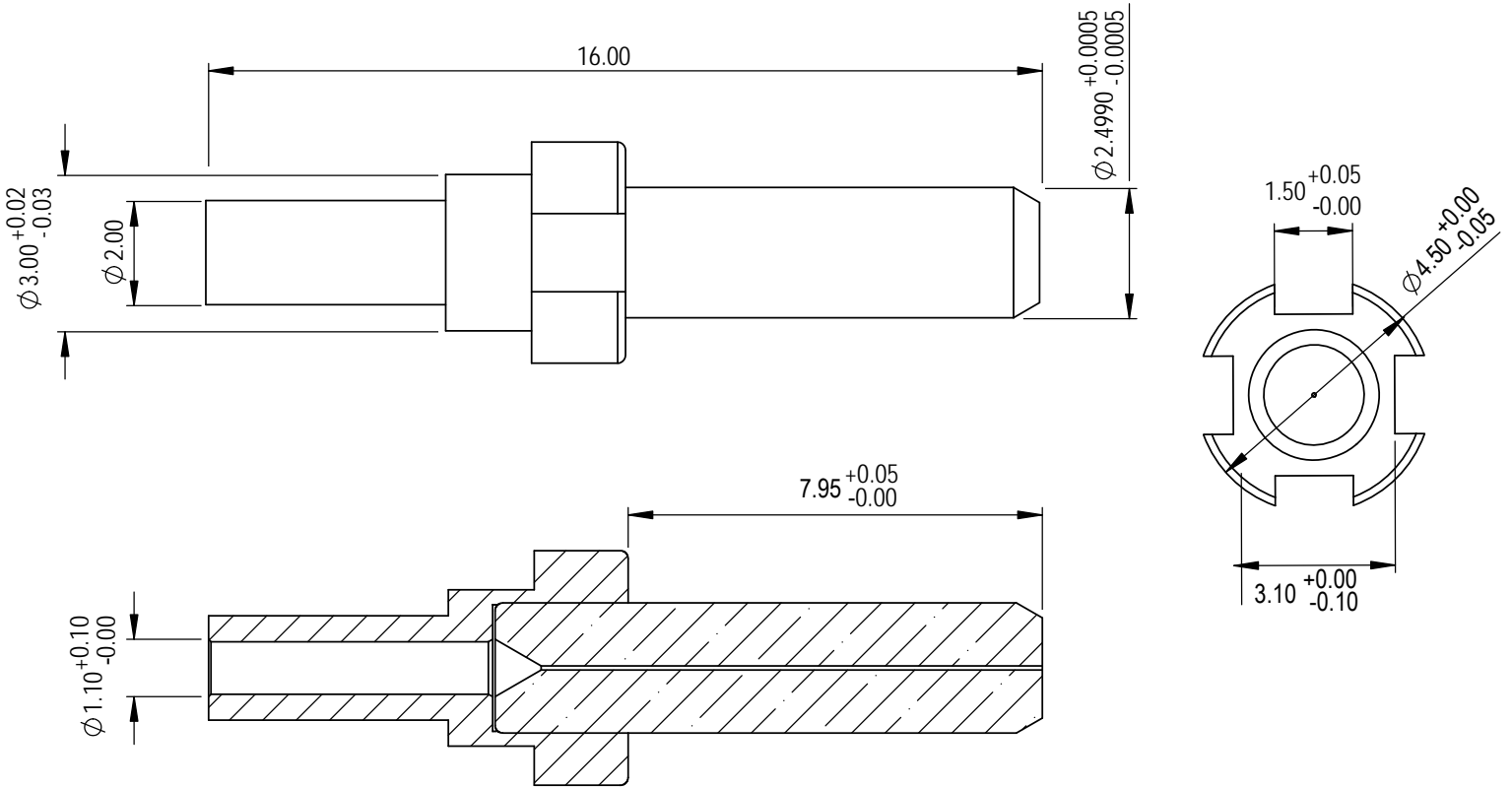
*Available in Standard, Premium and Elite.

Mechanical Specifications

MULTIMODE

Family	Ferrule Assembly
Length	16.00mm
Outer Diameter	2.5mm
Bore Size	126 - 500um
End Face Dome	10-25mm Spherical Radius
Ferrule Material	Ceramic Zirconia (ZrO ₂)
Flange Material	Nickel Plated Brass

Drawing Specifications



Part Number: MM-FER2002S15-XXXX



-XXXX	I.D.	Standard			Premium			Elite		
		Min	Max	Concentricity	Min	Max	Concentricity	Min	Max	Concentricity
1260	0.1260	0.1260	0.1300	<4	0.1260	0.1300	<2	0.1260	0.1280	<2
1270	0.1270	0.1270	0.1310	<4	0.1270	0.1310	<2	0.1270	0.1290	<2
1400	0.1400	0.1400	0.1450	<10	0.1400	0.1450	<5	0.1400	0.1425	<5
1440	0.1440	0.1440	0.1490	<10	0.1440	0.1490	<5	0.1440	0.1465	<5
2000	0.2000	0.2000	0.2100	<20	0.2000	0.2100	<10	0.2000	0.2050	<10
2300	0.2300	0.2300	0.2400	<20	0.2300	0.2400	<10	0.2300	0.2350	<10
2450	0.2450	0.2450	0.2550	<20	0.2450	0.2550	<10	0.2450	0.2500	<10
2500	0.2500	0.2500	0.2600	<20	0.2500	0.2600	<10	0.2500	0.2550	<10
3000	0.3000	0.3000	0.3100	<20	0.3000	0.3100	<10	0.3000	0.3050	<10
3300	0.3300	0.3300	0.3400	<20	0.3300	0.3400	<10	0.3300	0.3350	<10
3500	0.3500	0.3500	0.3600	<20	0.3500	0.3600	<10	0.3500	0.3550	<10
4000	0.4000	0.4000	0.4100	<30	0.4000	0.4100	<15	0.4000	0.4050	<15
4300	0.4300	0.4300	0.4400	<30	0.4300	0.4400	<15	0.4300	0.4350	<15
5000	0.5000	0.5000	0.5100	<30	0.5000	0.5100	<15	0.5000	0.5050	<15